

SERVICE PARTS LIST FOR MITSUBISHI ELECTRIC PACKAGED AIR-CONDITIONERS

Series : PURY-(E)P·Y(S)HM-A(-BS)

For use with the R410A

REVISED

July 2008

BWE0721A

INDEX

PURY-P200YHM-A(-BS)

PURY-P250YHM-A(-BS)

PURY-P300YHM-A(-BS)

PURY-P350YHM-A(-BS)

PURY-P400YHM-A(-BS)

PURY-EP200YHM-A(-BS)

PURY-EP300YHM-A(-BS)

Refer to the next page for the package names.



The Package name list

PURY-P450YSHM-A(-BS) [PURY-P200YHM-A(-BS) + PURY-P250YHM-A(-BS)]

PURY-P500YSHM-A(-BS) [PURY-P250YHM-A(-BS) + PURY-P250YHM-A(-BS)]

PURY-P550YSHM-A(-BS) [PURY-P250YHM-A(-BS) + PURY-P300YHM-A(-BS)]

PURY-P600YSHM-A(-BS) [PURY-P300YHM-A(-BS) + PURY-P300YHM-A(-BS)]

PURY-P650YSHM-A(-BS) [PURY-P300YHM-A(-BS) + PURY-P350YHM-A(-BS)]

PURY-P700YSHM-A(-BS) [PURY-P300YHM-A(-BS) + PURY-P400YHM-A(-BS)]

PURY-P750YSHM-A(-BS) [PURY-P350YHM-A(-BS) + PURY-P400YHM-A(-BS)]

PURY-P800YSHM-A(-BS) [PURY-P400YHM-A(-BS) + PURY-P400YHM-A(-BS)]

PURY-EP400YSHM-A(-BS) [PURY-EP200YHM-A(-BS) + PURY-EP200YHM-A(-BS)]

PURY-EP450YSHM-A(-BS) [PURY-EP200YHM-A(-BS) + PURY-P250YHM-A(-BS)]

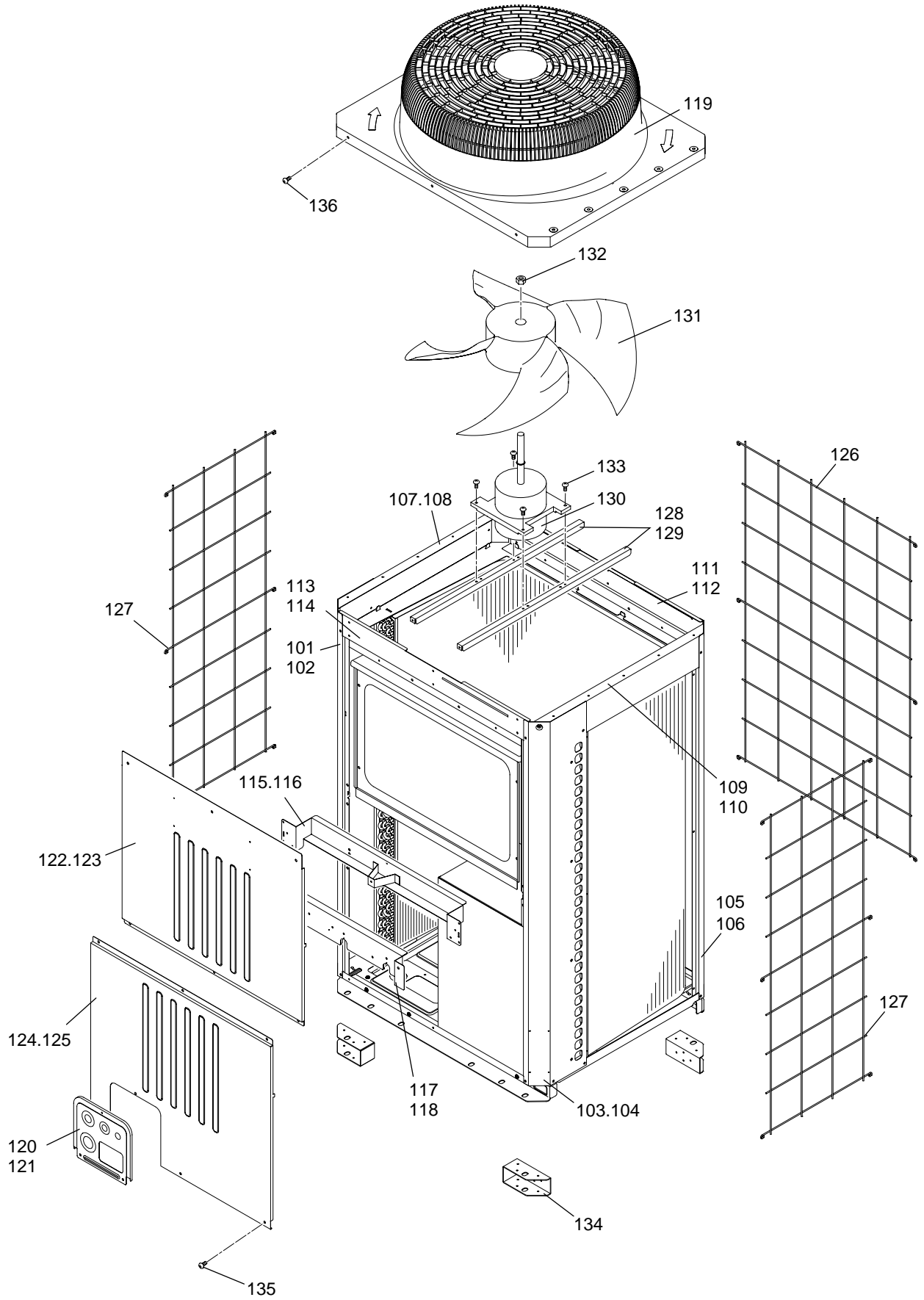
PURY-EP500YSHM-A(-BS) [PURY-EP200YHM-A(-BS) + PURY-EP300YHM-A(-BS)]

PURY-EP550YSHM-A(-BS) [PURY-P250YHM-A(-BS) + PURY-EP300YHM-A(-BS)]

PURY-EP600YSHM-A(-BS) [PURY-EP300YHM-A(-BS) + PURY-EP300YHM-A(-BS)]

PURY-P200,P250,P300YHM-A(-BS)
PURY-EP200YHM-A(-BS)

EXTERNAL PARTS & BLOWER PARTS (1)



No.	Part No.	G : RoHS Apply Only W : RoHS Apply by Running Change		Spec.	PURY-P200YHM-A	PURY-P200YHM-A-BS	PURY-P250YHM-A	PURY-P250YHM-A-BS	PURY-P300YHM-A	PURY-P300YHM-A-BS	Dwg. No.	Price	Revision History
			Part Name										
101	R63 001 626	G	Pillar LF		1	1	1	1	1	1	KB02A011G05		
102	R63 002 626	G	Pillar LF	BS		1	1	1			KB02A011G06		
103	R63 003 626	G	Pillar RF		1	1	1	1			KB02A012G05		
104	R63 004 626	G	Pillar RF	BS		1	1	1			KB02A012G06		
105	R63 005 626	G	Pillar B		2	2	2	2			KB02A013G05		
106	R63 006 626	G	Pillar B	BS		2	2	2			KB02A013G06		
107	R63 005 111	G	Frame assy L		1	1	1	1			KB00C163G05		
108	R63 006 111	G	Frame assy L	BS		1	1	1			KB00C163G06		
109	R63 007 111	G	Frame assy R		1	1	1	1			KB00C164G05		
110	R63 008 111	G	Frame assy R	BS		1	1	1			KB00C164G06		
111	R63 009 111	G	Frame assy B		1	1	1	1			KB00C162G05		
112	R63 010 111	G	Frame assy B	BS		1	1	1			KB00C162G06		
113	R63 011 111	G	Frame F		1	1	1	1			KB02B021H03		
114	R63 012 111	G	Frame FB	BS		1	1	1			KB02B021G06		
115	R63 013 111	G	Frame assy MU		1	1	1	1			KB00C887G01		
116	R63 015 111	G	Frame assy MU	BS		1	1	1			KB00C887G03		
117	R63 016 111	G	Frame assy MB	R2		1	1	1			KB00L774G01		A
118	R63 018 111	G	Frame assy MB	R2 BS		1	1	1			KB00L774G03		A
119	R63 4H6 118	G	Fan guard		1	1	1	1	1	1	KB25A008G02		
120	R61 026 690	G	Piping cover	R2		1	1	1			KB02L001G01		
121	R61 027 690	G	Piping cover	R2 BS		1	1	1			KB02L001G02		
122	R61 050 651	G	Panel FU		1	1	1	1			KB02B379H01		
123	R63 4H8 651	G	Panel FU	BS		1	1	1			KB02B379G02		
124	R61 003 652	G	Panel FB	YHM-A		1	1	1			KB02B392H02		
125	R61 004 652	G	Panel FB	YHM-A BS		1	1	1			KB02B392G03		
126	R63 004 611	G	Fin guard	B		1	1	1	1	1	KB07C042G03		
127	R63 005 611	G	Fin guard	LR		2	2	2	2	2	KB07C043G02		
128	R63 4H6 140	G	Base fan			2	2	2			KB02D050H01		
129	R63 4H7 140	G	Base fan	BS		2	2	2			KB02D050G01		
130	R63 033 220	G	Motor	YC920IA		1	1	1	1	1	P780109X01		A
131	R63 4H6 300	G	Fan			1	1	1	1	1	KB25A009H02		
132	R63 4H6 122	G	Box nut	M12 CH		1	1	1	1	1	P552000X01		
133	R63 E90 087	G	PT Screw	6x14		4	4	4	4	4	P521020X01		
134	R61 016 130	G	Attachment leg			4	4	4	4	4	KB02G629G01		
*1	135	R63 007 087	G	H Screw	5x14 KNURLED (30 pcs)	3	3	3	3	3	KB00H418G02		
*2	136	R63 006 087	G	WFT Screw	5x12 (30 pcs)	2	2	2	2	2	KB00H418G01		

*1: Each unit requires 90 H screws (Part No. 135).

*2: Each unit requires 47 WFT screws (Part No. 136).

PURY-P200,P250,P300YHM-A(-BS)
PURY-EP200YHM-A(-BS)

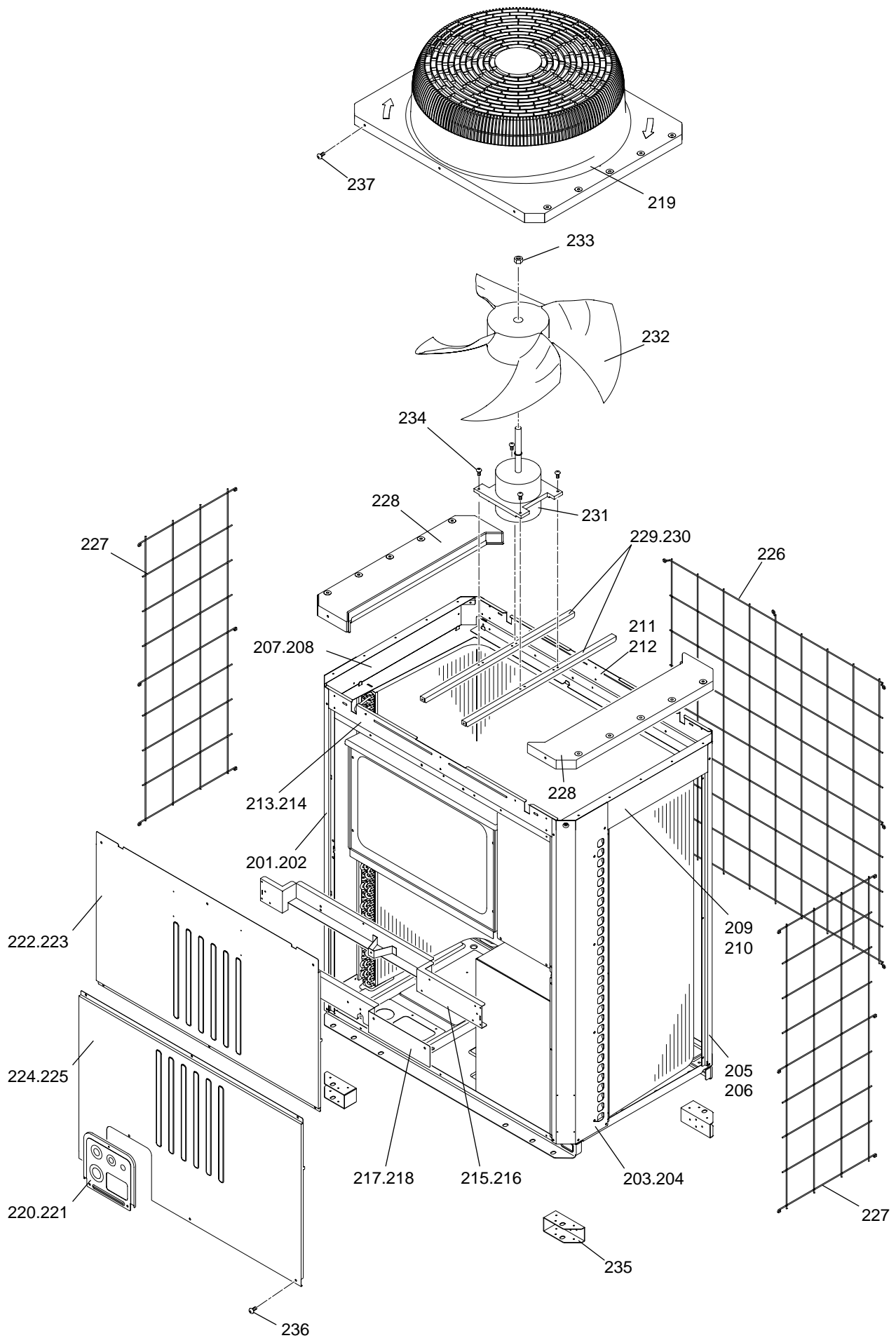
EXTERNAL PARTS & BLOWER PARTS (1)

No.	Part No.	G : RoHS Apply Only W : RoHS Apply by Running Change		Spec.	PURY-EP200YHM-A	PURY-EP200YHM-A-BS			Dwg. No.	Price	Revision History
			Part Name								
101	R63 001 626	G	Pillar LF		1				KB02A011G05		
102	R63 002 626	G	Pillar LF	BS	1				KB02A011G06		
103	R63 003 626	G	Pillar RF		1				KB02A012G05		
104	R63 004 626	G	Pillar RF	BS	1				KB02A012G06		
105	R63 005 626	G	Pillar B		2				KB02A013G05		
106	R63 006 626	G	Pillar B	BS	2				KB02A013G06		
107	R63 005 111	G	Frame assy L		1				KB00C163G05		
108	R63 006 111	G	Frame assy L	BS	1				KB00C163G06		
109	R63 007 111	G	Frame assy R		1				KB00C164G05		
110	R63 008 111	G	Frame assy R	BS	1				KB00C164G06		
111	R63 009 111	G	Frame assy B		1				KB00C162G05		
112	R63 010 111	G	Frame assy B	BS	1				KB00C162G06		
113	R63 011 111	G	Frame F		1				KB02B021H03		
114	R63 012 111	G	Frame FB	BS	1				KB02B021G06		
115	R63 013 111	G	Frame assy MU		1				KB00C887G01		
116	R63 015 111	G	Frame assy MU	BS	1				KB00C887G03		
117	R63 016 111	G	Frame assy MB	R2	1				KB00L774G01		A
118	R63 018 111	G	Frame assy MB	R2 BS	1				KB00L774G03		A
119	R63 4H6 118	G	Fan guard		1	1			KB25A008G02		
120	R61 026 690	G	Piping cover	R2	1				KB02L001G01		
121	R61 027 690	G	Piping cover	R2 BS	1				KB02L001G02		
122	R61 050 651	G	Panel FU		1				KB02B379H01		
123	R63 4H8 651	G	Panel FU	BS	1				KB02B379G02		
124	R61 003 652	G	Panel FB	YHM-A	1				KB02B392H02		
125	R61 004 652	G	Panel FB	YHM-A BS	1				KB02B392G03		
126	R63 004 611	G	Fin guard	B	1	1			KB07C042G03		
127	R63 005 611	G	Fin guard	LR	2	2			KB07C043G02		
128	R63 4H6 140	G	Base fan		2				KB02D050H01		
129	R63 4H7 140	G	Base fan	BS	2				KB02D050G01		
130	R63 033 220	G	Motor	YC920IA	1	1			P780109X01		A
131	R63 4H6 300	G	Fan		1	1			KB25A009H02		
132	R63 4H6 122	G	Box nut	M12 CH	1	1			P552000X01		
133	R63 E90 087	G	PT Screw	6x14	4	4			P521020X01		
134	R61 016 130	G	Attachment leg		4	4			KB02G629G01		
* 1	135	R63 007 087	G	H Screw	5x14 KNURLED (30 pcs)	3	3		KB00H418G02		
* 2	136	R63 006 087	G	WFT Screw	5x12 (30 pcs)	2	2		KB00H418G01		

* 1: Each unit requires 90 H screws (Part No. 135).
* 2: Each unit requires 47 WFT screws (Part No. 136).

PURY-P350,P400YHM-A(-BS)
PURY-EP300YHM-A(-BS)

EXTERNAL PARTS & BLOWER PARTS (2)



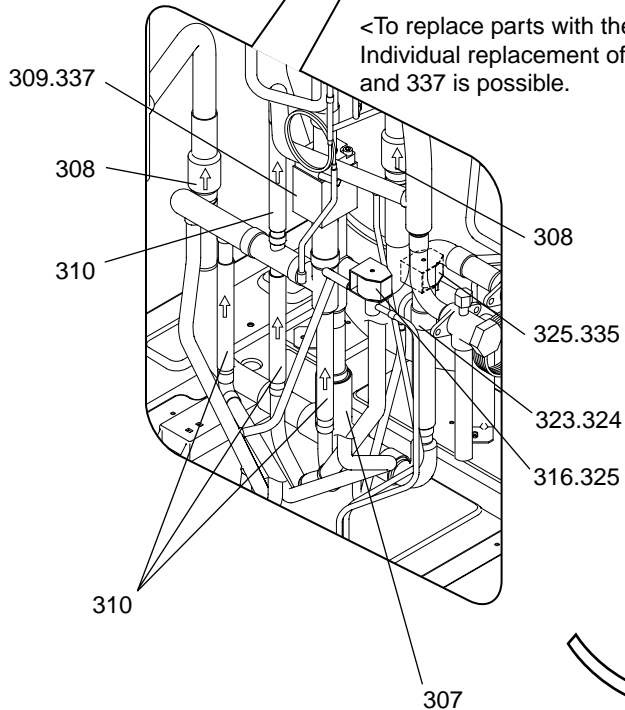
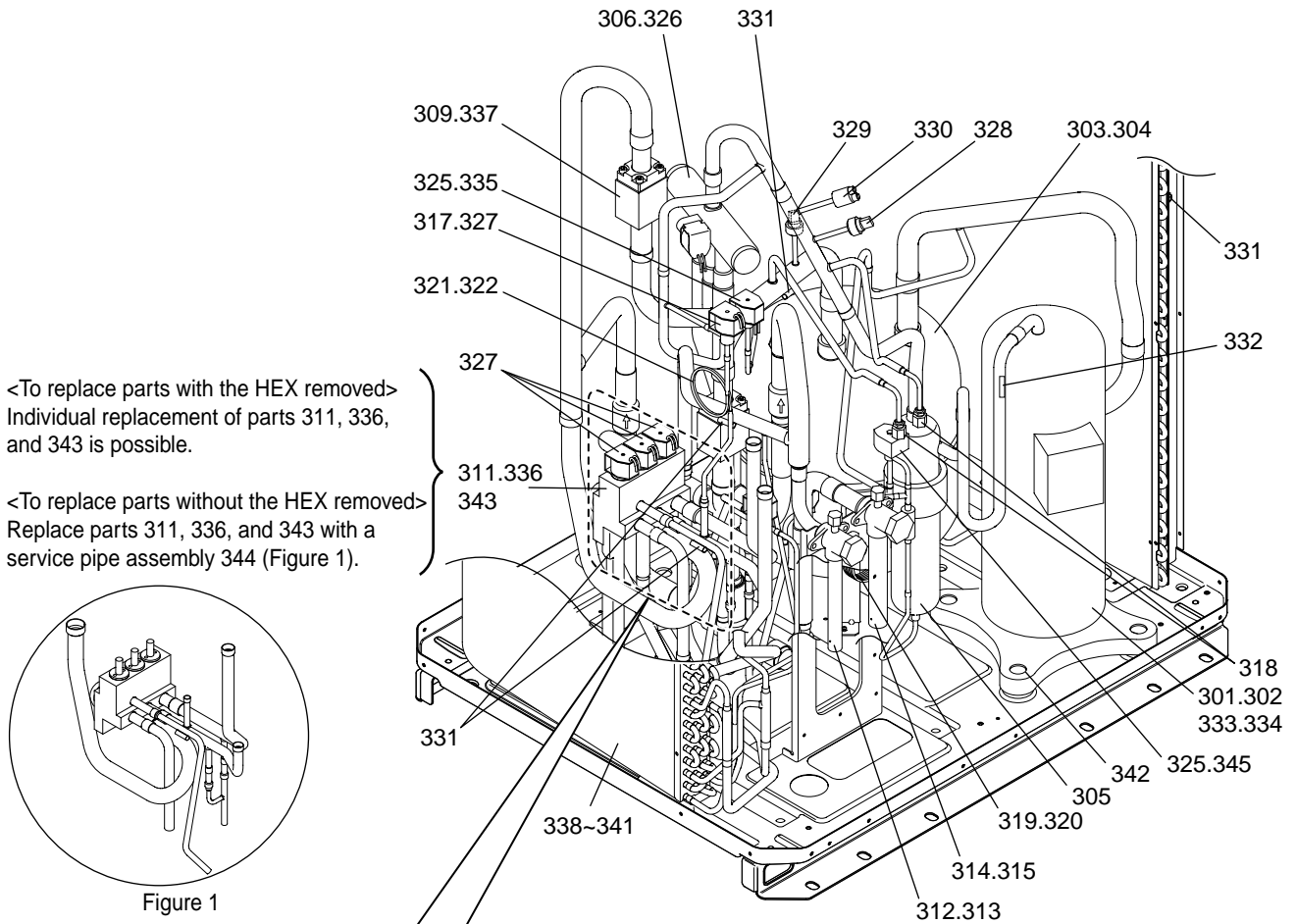
PURY-P350,P400YHM-A(-BS)
PURY-EP300YHM-A(-BS)

EXTERNAL PARTS & BLOWER PARTS (2)

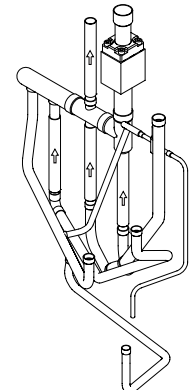
No.	Part No.	G : RoHS Apply Only W : RoHS Apply by Running Change		Spec.	PURY-P350YHM-A	PURY-P350YHM-A-BS	PURY-P400YHM-A	PURY-P400YHM-A-BS	PURY-EP300YHM-A	PURY-EP300YHM-A-BS	Dwg. No.	Price	Revision History
			Part Name										
201	R63 001 626	G	Pillar LF		1	1	1	1	1	1	KB02A011G05		
202	R63 002 626	G	Pillar LF	BS	1	1	1	1	1	1	KB02A011G06		
203	R63 003 626	G	Pillar RF		1	1	1	1	1	1	KB02A012G05		
204	R63 004 626	G	Pillar RF	BS	1	1	1	1	1	1	KB02A012G06		
205	R63 005 626	G	Pillar B		2	2	2	2	2	2	KB02A013G05		
206	R63 006 626	G	Pillar B	BS	2	2	2	2	2	2	KB02A013G06		
207	R63 005 111	G	Frame assy L		1	1	1	1	1	1	KB00C163G05		
208	R63 006 111	G	Frame assy L	BS	1	1	1	1	1	1	KB00C163G06		
209	R63 007 111	G	Frame assy R		1	1	1	1	1	1	KB00C164G05		
210	R63 008 111	G	Frame assy R	BS	1	1	1	1	1	1	KB00C164G06		
211	R63 019 111	G	Frame assy B	18	1	1	1	1	1	1	KB00C464G03		
212	R63 020 111	G	Frame assy B	18 BS	1	1	1	1	1	1	KB00C464G04		
213	R63 021 111	G	Frame F	18HP	1	1	1	1	1	1	KB02B093H03		
214	R63 022 111	G	Frame FB	18HP BS	1	1	1	1	1	1	KB02B093G04		
215	R63 7H6 163	G	Frame assy MU	18	1	1	1	1	1	1	KB00C428G04		
216	R63 7H8 163	G	Frame assy MU	18 BS	1	1	1	1	1	1	KB00C428G06		
217	R61 006 162	G	Frame assy MB	18	1	1	1	1	1	1	KB00L186G01		
218	R61 008 162	G	Frame assy MB	18 BS	1	1	1	1	1	1	KB00L186G03		
219	R63 4H6 118	G	Fan guard		1	1	1	1	1	1	KB25A008G02		
220	R61 026 690	G	Piping cover	R2	1	1	1	1	1	1	KB02L001G01		
221	R61 027 690	G	Piping cover	R2 BS	1	1	1	1	1	1	KB02L001G02		
222	R61 051 651	G	Panel FU	18HP	1	1	1	1	1	1	KB02B402H01		
223	R63 7H8 651	G	Panel FU	18HP BS	1	1	1	1	1	1	KB02B402G02		
224	R61 005 652	G	Panel FB	18HP YHM-A	1	1	1	1	1	1	KB02B403H02		
225	R61 006 652	G	Panel FB	18HP YHM BS	1	1	1	1	1	1	KB02B403G03		
226	R61 006 611	G	Fin guard	B 18HP	1	1	1	1	1	1	KB07C377G02		
227	R63 005 611	G	Fin guard	LR	2	2	2	2	2	2	KB07C043G02		
228	R63 7H6 118	G	Fan guard cover		2	2	2	2	2	2	KB25B086G01		
229	R63 4H6 140	G	Base fan		2	2	2	2	2	2	KB02D050H01		
230	R63 4H7 140	G	Base fan	BS	2	2	2	2	2	2	KB02D050G01		
231	R63 033 220	G	Motor	YC920IA	1	1	1	1	1	1	P780109X01		A
232	R63 4H6 300	G	Fan		1	1	1	1	1	1	KB25A009H02		
233	R63 4H6 122	G	Box nut	M12 CH	1	1	1	1	1	1	P552000X01		
234	R63 E90 087	G	PT Screw	6x14	4	4	4	4	4	4	P521020X01		
235	R61 016 130	G	Attachment leg		4	4	4	4	4	4	KB02G629G01		
*1	236	R63 007 087	G	H Screw	5x14 KNURLED (30 pcs)	4	4	4	4	4	KB00H418G02		
*2	237	R63 006 087	G	WFT Screw	5x12 (30 pcs)	2	2	2	2	2	KB00H418G01		

*1: Each unit requires 100 H screws (Part No. 236).

*2: Each unit requires 54 WFT screws (Part No. 237).



<To replace parts without the HEX removed>
 Remove the solenoid valve block assembly (Figure 1), take the check valve assembly (see figure below) out of the unit, and replace parts 309, 310, and 337 with parts 346. Only one set of 346 is required when replacing multiple check valves.*1



*1 Refer to the replacement instructions provided with parts 344 and 346 for details.

PURY-P200,P250,P300YHM-A(-BS)
PURY-EP200YHM-A(-BS)

FUNCTIONAL PARTS (1)

No.	Part No.	G : RoHS Apply Only W : RoHS Apply by Running Change		Spec.	PURY-P200YHM-A	PURY-P200YHM-A-BS	PURY-P250YHM-A	PURY-P250YHM-A-BS	PURY-P300YHM-A	PURY-P300YHM-A-BS	Dwg. No.	Price	Revision History
			Part Name										
301	R69 023 478	G	Scroll compressor	ENB52FA-YE	1	1	1	1			EP10107B03		
302	R66 A44 478	G	Scroll compressor	HNB71FA-YBE					1	1	EP10092G07		
303	R61 018 484	G	Accumulator assy		1		1		1		KB54B375G03		
304	R61 019 484	G	Accumulator assy	BS		1		1		1	KB54B375G04		
305	R61 007 487	G	Oil separator assy		1	1	1	1	1	1	KB00L071G01		
306	R63 Y05 154	G	Four way valve	STF-07 <21S4a>	1	1	1	1	1	1	P633119X01		
307	R63 S84 418	G	Check valve block assy	<CV2a>	1	1	1	1	1	1	W902879G02		
308	R61 001 418	G	Check valve	BCV-1810 <CV3a, CV5a>	2	2	2	2	2	2	P639170X01		
309	R61 002 418	G	Check valve assy	<CV4a, CV7a>	2	2	2	2	2	2	P639175X01		A
310	R63 R43 418	G	Check valve	BCV-1005 <CV6a, CV8a, CV9a, CV10a>	4	4	4	4	4	4	P639165X01		
311	R61 026 232	G	Valve block assy	3SV	1	1	1	1	1	1	KB00L055G01		
312	R61 005 540	G	Valve	VSAMH5SSCM-LA1 <(HP) BV2>	1	1					P636344X01		
313	R61 006 538	G	Valve	VSAMH6SSCM-LA1 <(HP) BV2>			1	1	1	1	P636352X01		
314	R61 001 540	G	Valve	VSAMH7SSCM-A <(LP) BV1>	1	1					P636342X01		
315	R61 002 540	G	Valve	VSAMH8SSCM-A <(LP) BV1>			1	1	1	1	P636343X01		
316	R63 027 232	G	Solenoid valve	VPV-L <SV5b>	1	1	1	1	1	1	P631296X01		
317	R63 Y07 232	G	Solenoid valve	ATS-A <SV9>	1	1	1	1	1	1	P631291X01		
318	R63 R34 413	G	Check joint L	R410A <(HP) CJ1,(LP)CJ2>	2	2	2	2	2	2	P666001X01		
*1	319	R61 009 425	G	Capillary tube assy service parts kit	<CP1>	1	1	1	1		KB00H902G16		A
*1	320	R61 010 425	G	Capillary tube assy service parts kit	<CP1>				1	1	KB00H902G10		
	321	R61 006 425	G	Capillary tube assy	<CP2>	1	1	1	1		KB49H698G01		
	322	R61 007 425	G	Capillary tube assy	<CP2>				1	1	KB49H699G01		
	323	R63 4H6 454	G	Strainer	19.05D <ST1>	1	1				P641133X01		A
	324	R63 5H4 454	G	Strainer	25.4D <ST1>			1	1	1	P641134X01		A
	325	R61 006 243	G	Solenoid coil	VPV Y <SV1a, SV2, SV5b, SV5c>	4	4	4	4	4	P472046X01		
	326	R63 Y16 243	G	Solenoid coil	STF DV <21S4a>	1	1	1	1	1	P472024X01		
	327	R63 Y18 243	G	Solenoid coil	<SV4a, SV4b, SV4d, SV9>	4	4	4	4	4	P472012X01		
	328	R61 006 288	G	Pressure sensor	HP D173 <(HP) 63HS1>	1	1	1	1	1	KB00H904G07		A
	329	R61 007 288	G	Pressure sensor	LP D173 <(LP) 63LS>	1	1	1	1	1	KB00H904G08		A
	330	R63 Y11 208	G	Pressure switch	ACB1UB28W <63H1>	1	1	1	1	1	P426320X01		
	331	R63 670 202	G	Thermistor	MDW103H <TH3, TH5, TH6, TH7>	4	4	4	4	4	P425496X01		
	332	R63 911 202	G	Thermistor	<TH4>	1	1	1	1	1	P425416X02		
	333	R63 Y07 237	G	Belt heater	240V 45W				1	1	P493781X02		
	334	R61 003 237	G	Belt heater	240V 35W	1	1	1	1		P497067X01		A
	335	R63 P90 232	G	Solenoid valve	VPV-152D <SV2, SV5c>	2	2	2	2	2	P631277X01		
	336	R63 6A7 235	G	Solenoid valve	ACS METAL <SV4a, SV4b, SV4d>	3	3	3	3	3	P631285X01		
	337	R63 H50 515	G	Packing		2	2	2	2	2	W872445H01		
	338	R61 141 480	G	Heat exchanger assy	2L YHM	1					KB01L060G05		
	339	R61 124 480	G	Heat exchanger assy	2L BS		1				KB01L060G02		
	340	R61 142 480	G	Heat exchanger assy	3L YHM			1		1	KB01L059G05		
	341	R61 128 480	G	Heat exchanger assy	3L BS				1		KB01L059G02		
	342	R63 852 860	G	Rubber mount		4	4	4	4	4	W897574H01		
	343	R63 6A7 245	G	Solenoid valve tightening element		1	1	1	1	1	W909209G01		
*2	344	R61 032 232	G	Solenoid valve block service parts kit		1	1	1	1	1	KB00H902G12		A
*3	345	R61 033 232	G	Solenoid valve service parts kit		1	1	1	1	1	KB00H902G06		

PURY-P200,P250,P300YHM-A(-BS)
 PURY-EP200YHM-A(-BS)

FUNCTIONAL PARTS (1)

No.	Part No.	G : RoHS Apply Only W : RoHS Apply by Running Change		Spec.	PURY-P200YHM-A	PURY-P200YHM-A-BS	PURY-P250YHM-A	PURY-P250YHM-A-BS	PURY-P300YHM-A	PURY-P300YHM-A-BS	Dwg. No.	Price	Revision History	
		Part Name												
*4	346	R61 004 151	G	Service parts with instructions	<CV4a, CV6a, CV8a, CV9a, CV10a>	1	1	1	1	1	1	KB00H902G14		A

*1: A capillary tube assy CP1 and a sheet of replacement instructions are included with Capillary tube assy service parts kits (No. 319, 320).
 *2: A solenoid valve block assy, a connecting pipe, and a sheet of replacement instructions are included with Solenoid valve block service parts kit (No. 344).
 *3: A solenoid valve (SV1a) and a sheet of replacement instructions are included with Solenoid valve service parts kit (No. 345).
 *4: A connecting pipe and a sheet of replacement instructions are included with Service parts with instructions (No. 346).

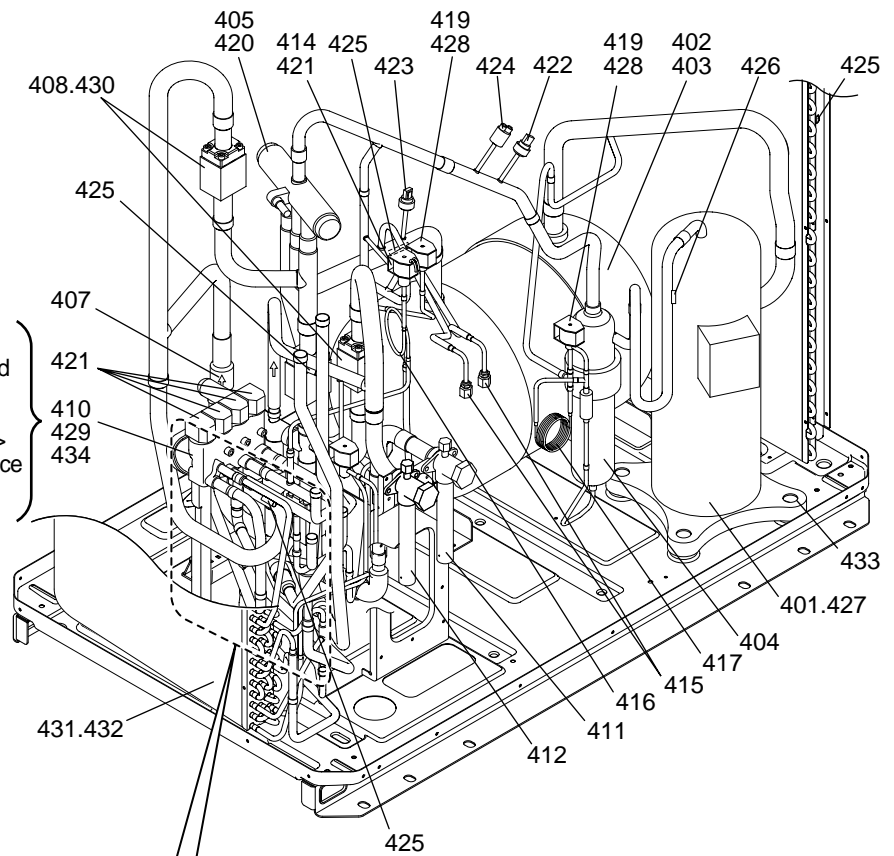
PURY-P200,P250,P300YHM-A(-BS)
PURY-EP200YHM-A(-BS)

FUNCTIONAL PARTS (1)

No.	Part No.	G : RoHS Apply Only W : RoHS Apply by Running Change		Spec.	PURY-EP200YHM-A	PURY-EP200YHM-A-BS				Dwg. No.	Price	Revision History
			Part Name									
301	R69 023 478	G	Scroll compressor	ENB52FA-YE	1	1				EP10107B03		
302	R66 A44 478	G	Scroll compressor	HNB71FA-YBE						EP10092G07		
303	R61 018 484	G	Accumulator assy		1					KB54B375G03		
304	R61 019 484	G	Accumulator assy	BS		1				KB54B375G04		
305	R61 007 487	G	Oil separator assy		1	1				KB00L071G01		
306	R63 Y05 154	G	Four way valve	STF-07 <21S4a>	1	1				P633119X01		
307	R63 S84 418	G	Check valve block assy	<CV2a>	1	1				W902879G02		
308	R61 001 418	G	Check valve	BCV-1810 <CV3a, CV5a>	2	2				P639170X01		
309	R61 002 418	G	Check valve assy	<CV4a, CV7a>	2	2				P639175X01		A
310	R63 R43 418	G	Check valve	BCV-1005 <CV6a, CV8a, CV9a, CV10a>	4	4				P639165X01		
311	R61 026 232	G	Valve block assy	3SV	1	1				KB00L055G01		
312	R61 005 540	G	Valve	VSAMH5SSCM-LA1 <(HP) BV2>	1	1				P636344X01		
313	R61 006 538	G	Valve	VSAMH6SSCM-LA1 <(HP) BV2>						P636352X01		
314	R61 001 540	G	Valve	VSAMH7SSCM-A <(LP) BV1>	1	1				P636342X01		
315	R61 002 540	G	Valve	VSAMH8SSCM-A <(LP) BV1>						P636343X01		
316	R63 027 232	G	Solenoid valve	VPV-L <SV5b>	1	1				P631296X01		
317	R63 Y07 232	G	Solenoid valve	ATS-A <SV9>	1	1				P631291X01		
318	R63 R34 413	G	Check joint L	R410A <(HP) CJ1,(LP)CJ2>	2	2				P666001X01		
*1	319	R61 009 425	G	Capillary tube assy service parts kit	<CP1>	1	1			KB00H902G16		A
*1	320	R61 010 425	G	Capillary tube assy service parts kit	<CP1>					KB00H902G10		
	321	R61 006 425	G	Capillary tube assy	<CP2>	1	1			KB49H698G01		
	322	R61 007 425	G	Capillary tube assy	<CP2>					KB49H699G01		
	323	R63 4H6 454	G	Strainer	19.05D <ST1>	1	1			P641133X01		A
	324	R63 5H4 454	G	Strainer	25.4D <ST1>					P641134X01		A
	325	R61 006 243	G	Solenoid coil	VPV Y <SV1a, SV2, SV5b, SV5c>	4	4			P472046X01		
	326	R63 Y16 243	G	Solenoid coil	STF DV <21S4a>	1	1			P472024X01		
	327	R63 Y18 243	G	Solenoid coil	<SV4a, SV4b, SV4d, SV9>	4	4			P472012X01		
	328	R61 006 288	G	Pressure sensor	HP D173 <(HP) 63HS1>	1	1			KB00H904G07		A
	329	R61 007 288	G	Pressure sensor	LP D173 <(LP) 63LS>	1	1			KB00H904G08		A
	330	R63 Y11 208	G	Pressure switch	ACB1UB28W <63H1>	1	1			P426320X01		
	331	R63 670 202	G	Thermistor	MDW103H <TH3, TH5, TH6, TH7>	4	4			P425496X01		
	332	R63 911 202	G	Thermistor	<TH4>	1	1			P425416X02		
	333	R63 Y07 237	G	Belt heater	240V 45W					P493781X02		
	334	R61 003 237	G	Belt heater	240V 35W	1	1			P497067X01		A
	335	R63 P90 232	G	Solenoid valve	VPV-152D <SV2, SV5c>	2	2			P631277X01		
	336	R63 6A7 235	G	Solenoid valve	ACS METAL <SV4a, SV4b, SV4d>	3	3			P631285X01		
	337	R63 H50 515	G	Packing		2	2			W872445H01		
	338	R61 141 480	G	Heat exchanger assy	2L YHM					KB01L060G05		
	339	R61 124 480	G	Heat exchanger assy	2L BS					KB01L060G02		
	340	R61 142 480	G	Heat exchanger assy	3L YHM	1				KB01L059G05		
	341	R61 128 480	G	Heat exchanger assy	3L BS		1			KB01L059G02		
	342	R63 852 860	G	Rubber mount		4	4			W897574H01		
	343	R63 6A7 245	G	Solenoid valve tightening element		1	1			W909209G01		
*2	344	R61 032 232	G	Solenoid valve block service parts kit		1	1			KB00H902G12		A
*3	345	R61 033 232	G	Solenoid valve service parts kit		1	1			KB00H902G06		

No.	Part No.	G : RoHS Apply Only W : RoHS Apply by Running Change		Spec.	PURY-EP200YHM-A PURY-EP200YHM-A-BS				Dwg. No.	Price	Revision History
			Part Name								
*4	346	R61 004 151	G	Service parts with instructions	<CV4a, CV6a, CV8a, CV9a, CV10a>	1	1		KB00H902G14		A

*1: A capillary tube assy CP1 and a sheet of replacement instructions are included with Capillary tube assy service parts kits (No. 319, 320).
*2: A solenoid valve block assy, a connecting pipe, and a sheet of replacement instructions are included with Solenoid valve block service parts kit (No. 344).
*3: A solenoid valve (SV1a) and a sheet of replacement instructions are included with Solenoid valve service parts kit (No. 345).
*4: A connecting pipe and a sheet of replacement instructions are included with Service parts with instructions (No. 346).



<To replace parts with the HEX removed>
 Individual replacement of parts 410, 429, and 434 is possible.

<To replace parts without the HEX removed>
 Replace parts 410, 429, and 434 with a service pipe assembly 435 (Figure 1).

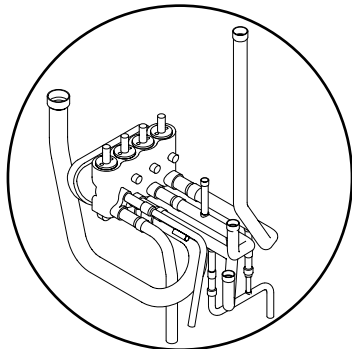
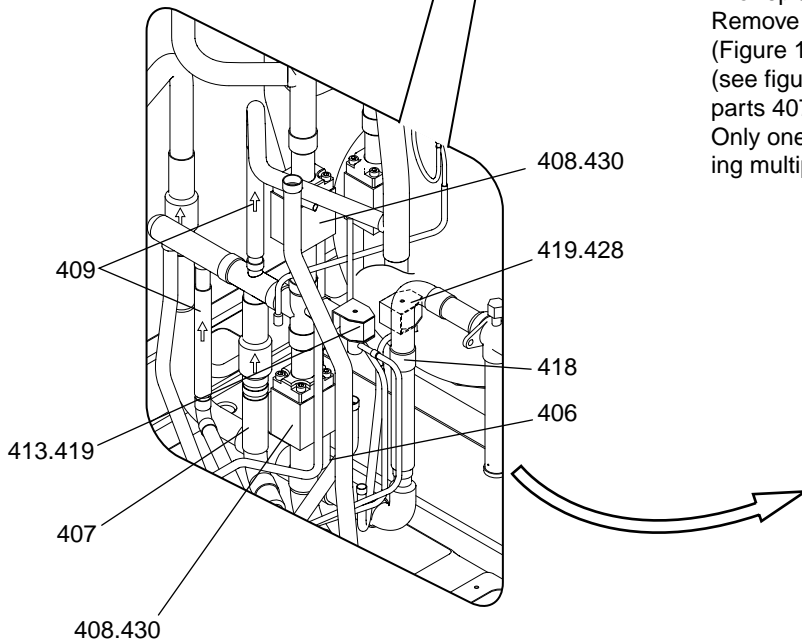
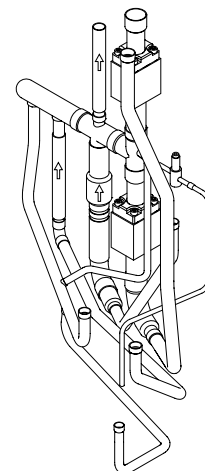


Figure 1

<To replace parts with the HEX removed>
 Individual replacement of parts 407, 409, and 430 is possible.



<To replace parts without the HEX removed>
 Remove the solenoid valve block assembly (Figure 1), take the check valve assembly (see figure below) out of the unit, and replace parts 407, 408, 409, and 430 with parts 436. Only one set of 436 is required when replacing multiple check valves. *1



*1 Refer to the replacement instructions provided with parts 435 and 436 for details.

PURY-P350,P400YHM-A(-BS)
PURY-EP300YHM-A(-BS)

FUNCTIONAL PARTS (2)

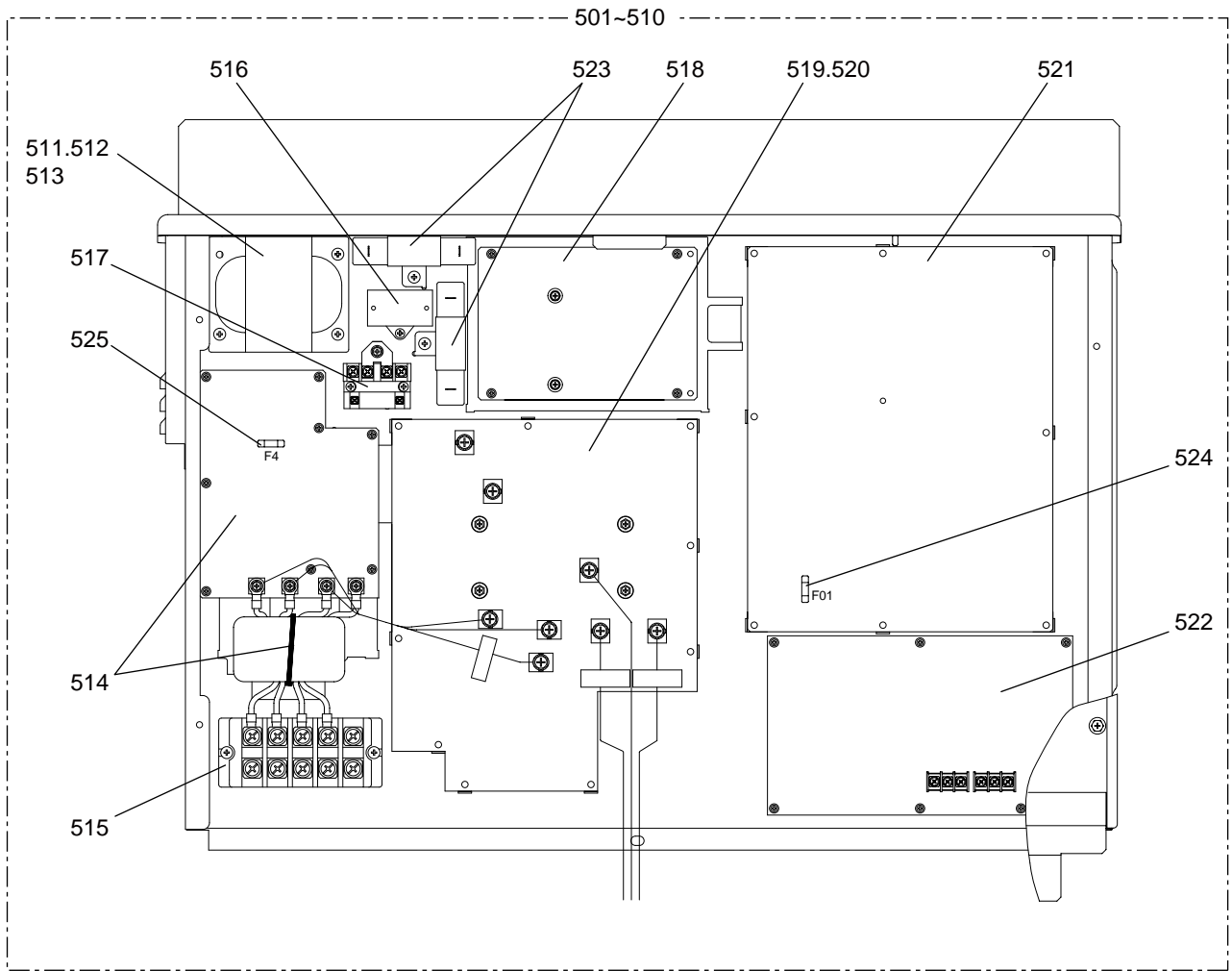
No.	Part No.	G : RoHS Apply Only W : RoHS Apply by Running Change		Spec.	PURY-P350YHM-A	PURY-P350YHM-A-BS	PURY-P400YHM-A	PURY-P400YHM-A-BS	PURY-EP300YHM-A	PURY-EP300YHM-A-BS	Dwg. No.	Price	Revision History
			Part Name										
401	R69 025 478	G	Scroll compressor	HNB78FA-YE	1	1	1	1	1	1	EP10109B02		
402	R61 010 484	G	Accumulator assy		1		1		1		KB54B479G01		
403	R61 011 484	G	Accumulator assy	BS		1		1		1	KB54B479G02		
404	R61 007 487	G	Oil separator assy		1	1	1	1	1	1	KB00L071G01		
405	R63 Y05 154	G	Four way valve	STF-07 <21S4a>	1	1	1	1	1	1	P633119X01		
406	R63 S84 418	G	Check valve block assy	<CV2a>	1	1	1	1	1	1	W902879G02		
407	R61 001 418	G	Check valve	BCV-1810 <CV3a, CV9a>	2	2	2	2	2	2	P639170X01		
408	R61 002 418	G	Check valve assy	<CV4a, CV5a, CV7a, CV8a>	4	4	4	4	4	4	P639175X01		A
409	R63 R43 418	G	Check valve	BCV-1005 <CV6a, CV10a>	2	2	2	2	2	2	P639165X01		
410	R61 030 232	G	Valve block assy	4SV	1	1	1	1	1	1	KB00L126G02		A
411	R61 002 540	G	Valve	VSAMH8SSCM-A <(LP) BV1>	1	1	1	1	1	1	P636343X01		
412	R63 007 538	G	Valve	VSAMH8SSCM-LA1 <(HP) BV2>	1	1	1	1	1	1	P636353X01		
413	R63 027 232	G	Solenoid valve	VPV-L <SV5b>	1	1	1	1	1	1	P631296X01		
414	R63 Y07 232	G	Solenoid valve	ATS-A <SV9>	1	1	1	1	1	1	P631291X01		
415	R63 R34 413	G	Check joint L	R410A <(HP)CJ1,(LP)CJ2>	2	2	2	2	2	2	P666001X01		
416	R61 008 425	G	Capillary tube assy	<CP2>	1	1	1	1	1	1	KB49H700G01		
417	R63 R55 425	G	Capillary tube assy	<CP1>	1	1	1	1	1	1	W905191G02		
418	R63 5H4 454	G	Strainer	25.4D <ST1>	1	1	1	1	1	1	P641125X01		
419	R61 006 243	G	Solenoid coil	VPV Y <SV1a, SV2, SV5b, SV5c>	4	4	4	4	4	4	P472046X01		
420	R63 Y16 243	G	Solenoid coil	STF DV <21S4a>	1	1	1	1	1	1	P472024X01		
421	R63 Y18 243	G	Solenoid coil	<SV4a, SV4b, SV4c, SV4d, SV9>	5	5	5	5	5	5	P472012X01		
422	R61 006 288	G	Pressure sensor	HP D175 <(HP) 63HS1>	1	1	1	1	1	1	KB00H904G07		A
423	R61 007 288	G	Pressure sensor	LP D173 <(LP) 63LS>	1	1	1	1	1	1	KB00H904G08		A
424	R63 Y11 208	G	Pressure switch	ACB1UB28W <63H1>	1	1	1	1	1	1	P426320X01		
425	R63 670 202	G	Thermistor	MDW103H <TH3, TH5, TH6, TH7>	4	4	4	4	4	4	P425496X01		
426	R63 911 202	G	Thermistor	<TH4>	1	1	1	1	1	1	P425416X02		
427	R63 Y07 237	G	Belt heater	240V 45W	1	1	1	1	1	1	P493781X02		
428	R63 P90 232	G	Solenoid valve	VPV-152D <SV1a, SV2, SV5c>	3	3	3	3	3	3	P631277X01		
429	R63 6A7 235	G	Solenoid valve	ACS METAL <SV4a, SV4b, SV4c, SV4d>	4	4	4	4	4	4	P631285X01		
430	R63 H50 515	G	Packing		4	4	4	4	4	4	W872445H01		
431	R61 143 480	G	Heat exchanger assy	3L YHM	1		1		1		KB01L124G05		
432	R61 144 480	G	Heat exchanger assy	3L BS		1		1		1	KB01L124G02		
433	R63 852 860	G	Rubber mount		4	4	4	4	4	4	W897574H01		
434	R63 6A7 245	G	Solenoid valve tightening element		1	1	1	1	1	1	W909209G01		
*1	435	R61 003 151	G	Solenoid valve block service parts kit	1	1	1	1	1	1	KB00H903G05		A
*2	436	R61 005 151	G	Service parts with instructions	<CV4a, CV6a, CV8a, CV9a, CV10a>	1	1	1	1	1	KB00H903G06		A

*1: A solenoid valve block assy, a connecting pipe, and a sheet of replacement instructions are included with Solenoid valve block service parts kit (No. 435).

*2: A connecting pipe and a sheet of replacement instructions are included with Service parts with instructions (No. 436).

PURY-P200,P250,P300YHM-A(-BS)
PURY-P350,P400YHM-A(-BS)
PURY-EP200,EP300YHM-A(-BS)

CONTROL BOX PARTS



PURY-P200,P250,P300YHM-A(-BS)
 PURY-P350,P400YHM-A(-BS)
 PURY-EP200,EP300YHM-A(-BS)

CONTROL BOX PARTS

No.	Part No.	G : RoHS Apply Only W : RoHS Apply by Running Change	Part Name		Spec.	PURY-P200YHM-A	PURY-P200YHM-A-BS	PURY-P250YHM-A	PURY-P250YHM-A-BS	PURY-P300YHM-A	PURY-P300YHM-A-BS	Dwg. No.	Price	Revision History
501	R61 070 305	G	Control box		R-P250YHM	1		1				KE80C152G13		
502	R61 071 305	G	Control box		R-P250 BS		1	1				KE80C152G14		
503	R61 072 305	G	Control box		R-P300YHM					1		KE80C152G15		
504	R61 073 305	G	Control box		R-P300 BS						1	KE80C152G16		
505	R61 074 305	G	Control box		R-P400YHM							KE80C152G17		
506	R61 075 305	G	Control box		R-P400 BS							KE80C152G18		
507	R61 076 305	G	Control box		R-EP200YHM							KE80C152G19		
508	R61 077 305	G	Control box		R-EP200 BS							KE80C152G20		
509	R61 078 305	G	Control box		R-EP300YHM							KE80C152G21		
510	R61 079 305	G	Control box		R-EP300 BS							KE80C152G22		
511	R61 010 259	G	Reactor	<DCL>		1	1	1	1			P715439X01		
512	R61 011 259	G	Reactor	<DCL>						1	1	P715440X01		
513	R61 012 259	G	Reactor	<DCL>								P715441X01		
514	R61 003 293	G	Noise filter	<Noise Filter,L>		1	1	1	1	1	1	KE80C155G01		
515	R61 007 246	G	Terminal block	<TB1>		1	1	1	1	1	1	S436005H12		
516	R61 001 255	G	Capacitor assy	<C100>		1	1	1	1	1	1	KE00D263G01		
517	R61 003 216	G	Relay	<72C>		1	1	1	1	1	1	P421295X01		
518	R61 037 280	G	FAN board			1	1	1	1	1	1	W652171G07		
519	R61 038 280	G	INV board			1	1	1	1			KE80C154G01		
520	R61 039 280	G	INV board							1	1	KE80C154G02		
521	R61 014 281	G	Control board			1	1	1	1	1	1	KE80C153G31		
522	R61 012 281	G	M-NET board			1	1	1	1	1	1	KE80C055G03		
523	R61 001 234	G	Resistor	<R1>,<R5>		2	2	2	2	2	2	P411151X01		
524	R63 992 964	G	Fuse			1	1	1	1	1	1	S423001H29		
525	R63 993 964	G	Fuse			1	1	1	1	1	1	S423001H30		

PURY-P200,P250,P300YHM-A(-BS)
 PURY-P350,P400YHM-A(-BS)
 PURY-EP200,EP300YHM-A(-BS)

CONTROL BOX PARTS

No.	Part No.	G : RoHS Apply Only W : RoHS Apply by Running Change		Spec.	PURY-P350YHM-A	PURY-P350YHM-A-BS	PURY-P400YHM-A	PURY-P400YHM-A-BS	PURY-EP200YHM-A	PURY-EP200YHM-A-BS	Dwg. No.	Price	Revision History
		Part Name											
501	R61 070 305	G	Control box	R-P250YHM							KE80C152G13		
502	R61 071 305	G	Control box	R-P250 BS							KE80C152G14		
503	R61 072 305	G	Control box	R-P300YHM							KE80C152G15		
504	R61 073 305	G	Control box	R-P300 BS							KE80C152G16		
505	R61 074 305	G	Control box	R-P400YHM	1		1				KE80C152G17		
506	R61 075 305	G	Control box	R-P400 BS		1	1				KE80C152G18		
507	R61 076 305	G	Control box	R-EP200YHM					1		KE80C152G19		
508	R61 077 305	G	Control box	R-EP200 BS						1	KE80C152G20		
509	R61 078 305	G	Control box	R-EP300YHM							KE80C152G21		
510	R61 079 305	G	Control box	R-EP300 BS							KE80C152G22		
511	R61 010 259	G	Reactor	<DCL>					1	1	P715439X01		
512	R61 011 259	G	Reactor	<DCL>							P715440X01		
513	R61 012 259	G	Reactor	<DCL>	1	1	1	1			P715441X01		
514	R61 003 293	G	Noise filter	<Noise Filter,L>	1	1	1	1	1	1	KE80C155G01		
515	R61 007 246	G	Terminal block	<TB1>	1	1	1	1	1	1	S436005H12		
516	R61 001 255	G	Capacitor assy	<C100>	1	1	1	1	1	1	KE00D263G01		
517	R61 003 216	G	Relay	<72C>	1	1	1	1	1	1	P421295X01		
518	R61 037 280	G	FAN board		1	1	1	1	1	1	W652171G07		
519	R61 038 280	G	INV board						1	1	KE80C154G01		
520	R61 039 280	G	INV board		1	1	1	1			KE80C154G02		
521	R61 014 281	G	Control board		1	1	1	1	1	1	KE80C153G31		
522	R61 012 281	G	M-NET board		1	1	1	1	1	1	KE80C055G03		
523	R61 001 234	G	Resistor	<R1>,<R5>	2	2	2	2	2	2	P411151X01		
524	R63 992 964	G	Fuse	3.15A AC250V T	1	1	1	1	1	1	S423001H29		
525	R63 993 964	G	Fuse	6.3A AC250V T	1	1	1	1	1	1	S423001H30		

PURY-P200,P250,P300YHM-A(-BS)
 PURY-P350,P400YHM-A(-BS)
 PURY-EP200,EP300YHM-A(-BS)

CONTROL BOX PARTS

No.	Part No.	G : RoHS Apply Only W : RoHS Apply by Running Change		Spec.	PURY-EP300YHM-A	PURY-EP300YHM-A-BS				Dwg. No.	Price	Revision History
			Part Name									
501	R61 070 305	G	Control box	R-P250YHM						KE80C152G13		
502	R61 071 305	G	Control box	R-P250 BS						KE80C152G14		
503	R61 072 305	G	Control box	R-P300YHM						KE80C152G15		
504	R61 073 305	G	Control box	R-P300 BS						KE80C152G16		
505	R61 074 305	G	Control box	R-P400YHM						KE80C152G17		
506	R61 075 305	G	Control box	R-P400 BS						KE80C152G18		
507	R61 076 305	G	Control box	R-EP200YHM						KE80C152G19		
508	R61 077 305	G	Control box	R-EP200 BS						KE80C152G20		
509	R61 078 305	G	Control box	R-EP300YHM	1					KE80C152G21		
510	R61 079 305	G	Control box	R-EP300 BS		1				KE80C152G22		
511	R61 010 259	G	Reactor	<DCL>						P715439X01		
512	R61 011 259	G	Reactor	<DCL>	1	1				P715440X01		
513	R61 012 259	G	Reactor	<DCL>						P715441X01		
514	R61 003 293	G	Noise filter	<Noise Filter,L>	1	1				KE80C155G01		
515	R61 007 246	G	Terminal block	<TB1>	1	1				S436005H12		
516	R61 001 255	G	Capacitor assy	<C100>	1	1				KE00D263G01		
517	R61 003 216	G	Relay	<72C>	1	1				P421295X01		
518	R61 037 280	G	FAN board		1	1				W652171G07		
519	R61 038 280	G	INV board							KE80C154G01		
520	R61 039 280	G	INV board		1	1				KE80C154G02		
521	R61 014 281	G	Control board		1	1				KE80C153G31		
522	R61 012 281	G	M-NET board		1	1				KE80C055G03		
523	R61 001 234	G	Resistor	<R1>,<R5>	2	2				P411151X01		
524	R63 992 964	G	Fuse	3.15A AC250V T	1	1				S423001H29		
525	R63 993 964	G	Fuse	6.3A AC250V T	1	1				S423001H30		

